

Illustration - Type - E

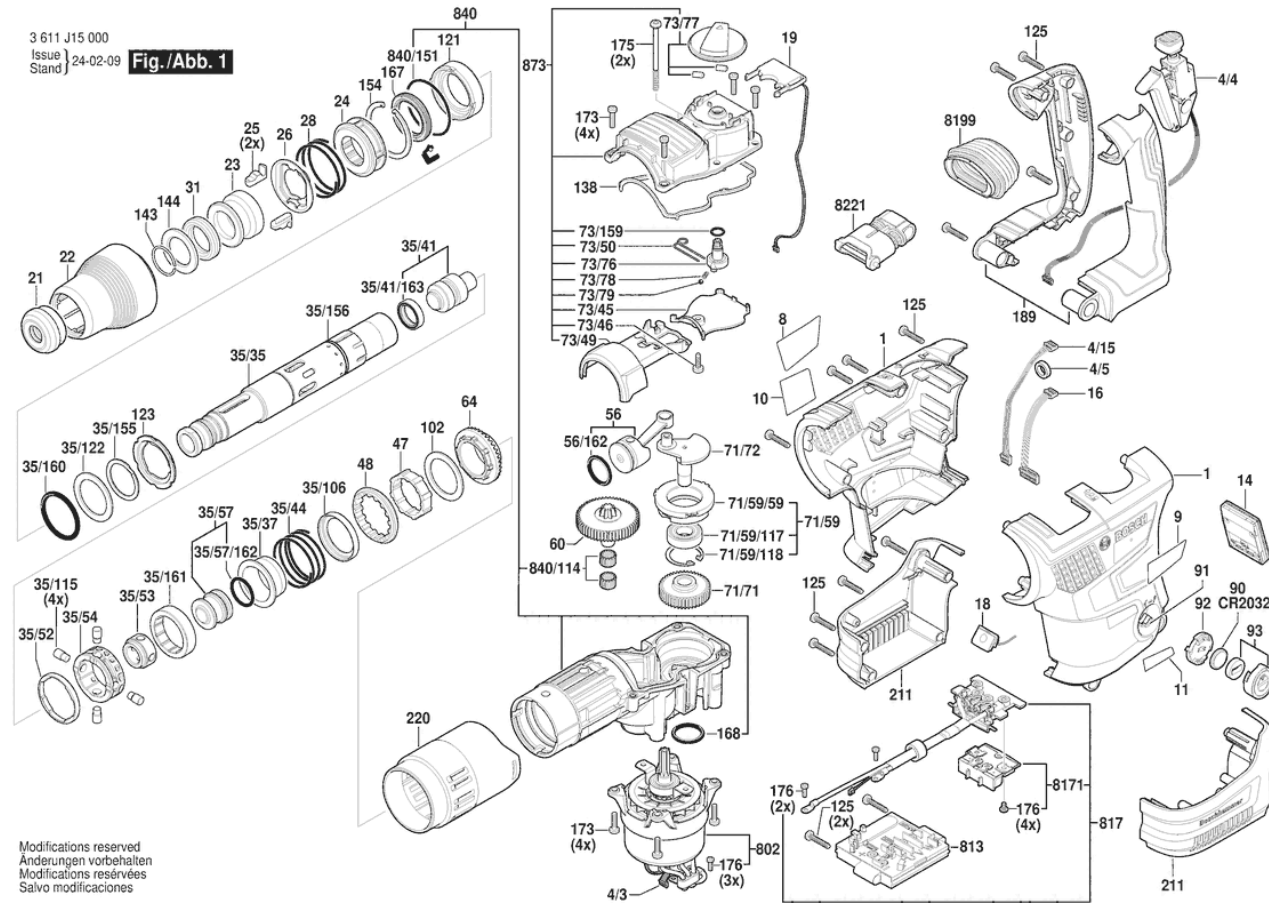
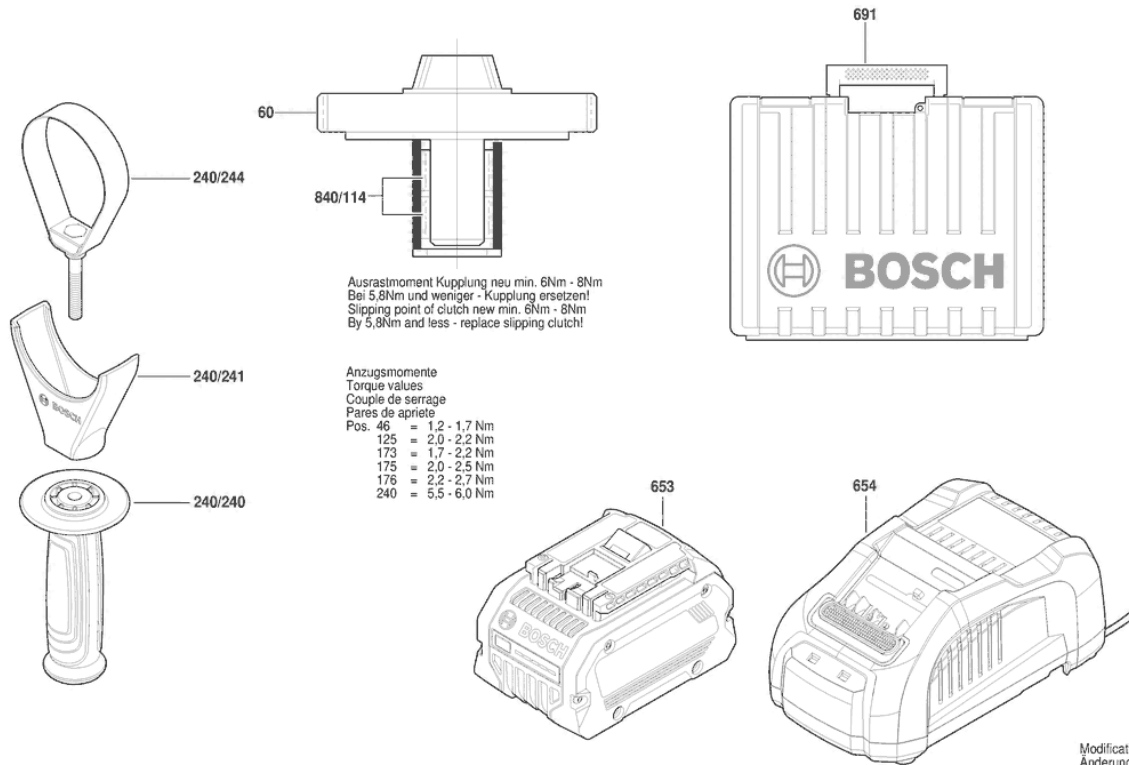


Illustration - Type - E

3 611 J15 000
 Issue | 22-12-13
 Stand | **Fig./Abb. 2**



Ausrastmoment Kupplung neu min. 6Nm - 8Nm
 Bei 5,8Nm und weniger - Kupplung ersetzen!
 Slipping point of clutch new min. 6Nm - 8Nm
 By 5,8Nm and less - replace slipping clutch!

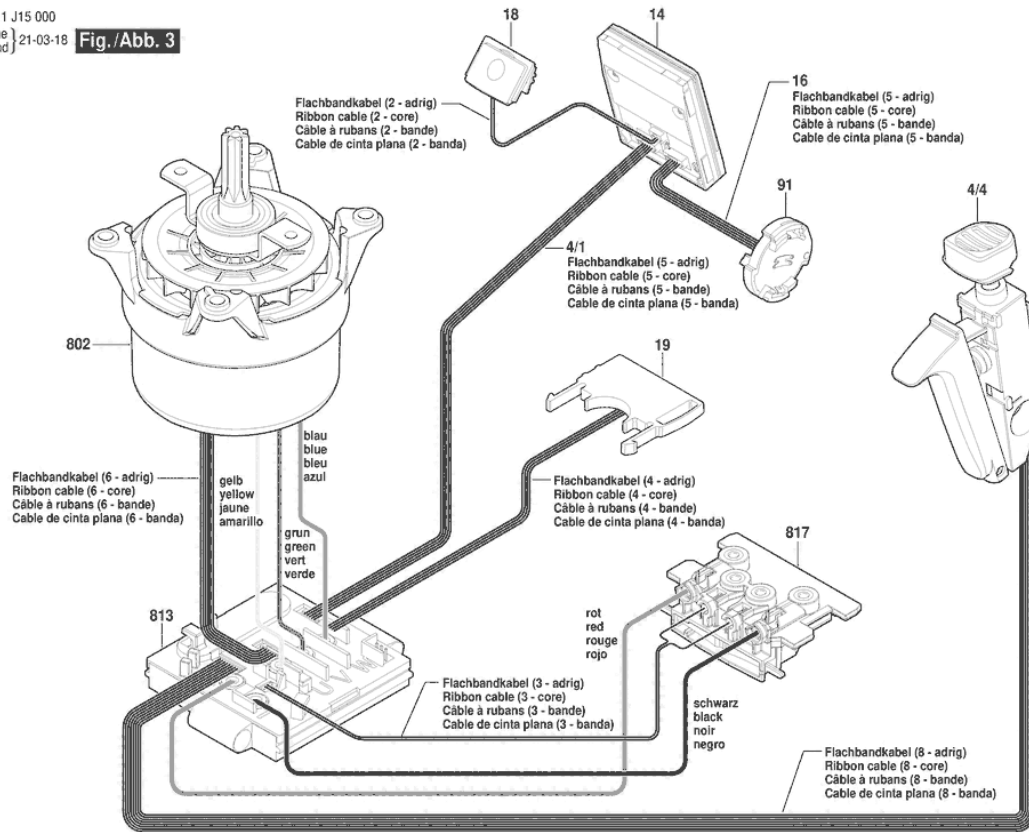
Anzugsmomente
 Torque values
 Couple de serrage
 Pares de apriete

Pos. 46	= 1,2 - 1,7 Nm
125	= 2,0 - 2,2 Nm
173	= 1,7 - 2,2 Nm
175	= 2,0 - 2,5 Nm
176	= 2,2 - 2,7 Nm
240	= 5,5 - 6,0 Nm

Modifications reserved
 Änderungen vorbehalten
 Modifications réservées
 Salvo modificaciones

Illustration - Type - E

3 611 J15 000
 Issue Stand | 21-03-18 **Fig./Abb. 3**



Modifications reserved
 Änderungen vorbehalten
 Modifications réservées
 Salvo modificaciones

Spare parts list

Item	Part Number	Description	Illustration
1	1 605 806 5LW	Housing Section	1
4/15	1 607 503 566	Ribbon cable	1
4/3	1 607 503 565	Ribbon cable	1
4/4	2 607 202 360	Switch	1
4/5	1 600 A02 4AU	Ferrite	1
8	1 601 11A 3H5	Nameplate	1
9	1 601 11C 324	Manufacturer's nameplate	1
10	1 601 11C 327	Reference Plate	1
11	1 601 11C 322	Sticker	1
14	1 607 233 5EP	Electronic Module	1
16	1 607 503 567	Ribbon cable	1
18	1 607 233 5FP	Electronics Module	1
19	1 607 233 5EH	Electronics Module	1
21	1 610 508 038	Protective Cap	1
22	1 600 A00 2YF	Protection Sleeve	1
23	1 610 520 006	Stop Sleeve	1
24	1 600 A00 2YG	Headed Bush	1
25	1 612 300 027	Stopping Device	1
26	1 600 A01 9WL	Indexing Disk	1
28	1 614 621 010	Compression Spring	1
31	1 610 290 129	Damping Ring	1
35/106	1 600 A00 30W	Supporting Disc	1
35/115	1 603 123 04B	Driving Pin	1
35/122	1 600 A00 305	Stop Disc	1
35/155	1 600 150 02Y	Spring retaining ring	1
35/156	1 600 210 05V	Retaining ring	1
35/160	1 600 210 05S	Damping Ring	1
35/161	1 600 A00 30L	Damping Ring	1
35/35	1 600 A00 DH4	Hammer Pipe	1
35/37	1 600 A00 30R	Control Bushing	1
35/41	1 600 A01 B3E	Striker Pin	1
35/41/163	1 610 290 065	Seal Ring	1
35/44	1 604 612 00N	Compression Spring	1
35/52	1 600 A00 30G	Retaining snap ring	1
35/53	1 600 A00 30F	Stop Bushing	1

Spare parts list

Item	Part Number	Description	Illustration
35/54	1 600 A00 30J	Spacer Tube	1
35/57	1 600 A01 B3F	Striker	1
47	1 600 A00 48K	Gear Sleeve	1
48	1 600 A01 9TP	Clutch Sleeve	1
56	1 600 A01 B3C	Hammer Piston	1
56/162	1 600 210 096	O-Ring	1
60	1 600 A00 33N	Coupling	1
64	1 600 A00 39T	Crown Gear	1
71/59	1 600 A01 B36	Bearing Pedestal	1
71/59/117	1 900 905 162	groove ball bearing 15X32X9	1
71/59/118	2 916 660 013	Retaining clip DIN 472-32X1,2 MM	1
71/71	1 600 A01 1GY	Eccentric Cog Wheel	1
71/72	1 600 A01 2RS	Eccentric Shaft	1
73/159	1 610 210 198	O-Ring 9,0X3,0 MM	1
73/45	1 600 A01 9XJ	Support Plate	1
73/46	1 603 435 08V	Thread-forming tap. Screw	1
73/49	1 600 A00 3YK	Control Fork	1
73/50	1 604 651 01F	Coiled Spring	1
73/76	1 600 A01 4A7	Shift Curve	1
73/77	1 602 026 10B	Clamp Handle	1
73/78	1 614 611 024	Compression Spring	1
73/79	1 903 230 007	Ball DIN 5401-4 MM-III-ST	1
91	1 600 A01 6CZ	Electronics Module	1
92	1 600 A01 3WF	Electronics Module	1
93	1 605 500 2GJ	Cover	1
102	1 600 A00 48F	Shim ring 1.6 MM	1
102	1 600 A00 48G	Shim ring 1.5 MM	1
102	1 600 A00 48H	Shim ring 1.4 MM	1
121	1 600 A01 B3G	Plain bearing	1
123	1 600 A00 307	Support Disc	1
125	2 603 490 023	Torx Oval-Head Screw 4X20	1
138	1 600 A00 4DH	Sealing Frame	1
143	1 614 601 021	Retaining ring DIN 7993-28X2	1
144	1 610 103 025	Supporting Disc	1
154	1 600 150 02X	Spring retaining ring	1

Spare parts list

Item	Part Number	Description	Illustration
167	1 600 A00 308	Shaft Seal	1
168	1 610 283 047	Rotary shaft lip seal	1
173	1 603 435 091	Torx Oval-Head Screw	1
175	1 600 A01 N0N	Torx socket button screw	1
176	1 603 430 03T	Screw	1
189	1 605 132 18X	Handle	1
211	1 605 108 2HP	Cover Plate	1
220	1 600 A01 2MV	Cover Pipe	1
657/1	2 609 111 584	Clip	1
657/2	2 609 110 834	Screw	1
802	1 607 000 DL7	DC motor	1
813	1 607 000 DN1	Electronic Module	1
817	1 607 000 DNO	Contact retainer	1
840	1 607 000 DL9	Impact Mechanism Housing	1
840/114	1 600 A01 N8S	Needle-Roller Assembly	1
840/151	1 600 210 060	O-Ring	1
873	1 600 A01 E0A	Housing Cover	1
8171	1 607 000 DL8	Contact retainer	1
8199	1 607 000 E61	Boot	1
8221	1 607 000 E60	Decoupling Element	1
240/240	1 602 025 09C	Auxiliary Handle	2
240/241	1 600 A01 C3T	Support clamp	2
240/244	1 600 A01 E9C	Clamping Band	2
653	1 607 A35 0AT	Battery Pack	2
654	2 607 225 921	Charger EU GAL 1880 CV 230/14,4-18V	2
691	1 605 438 1G2	Carrying Case	2